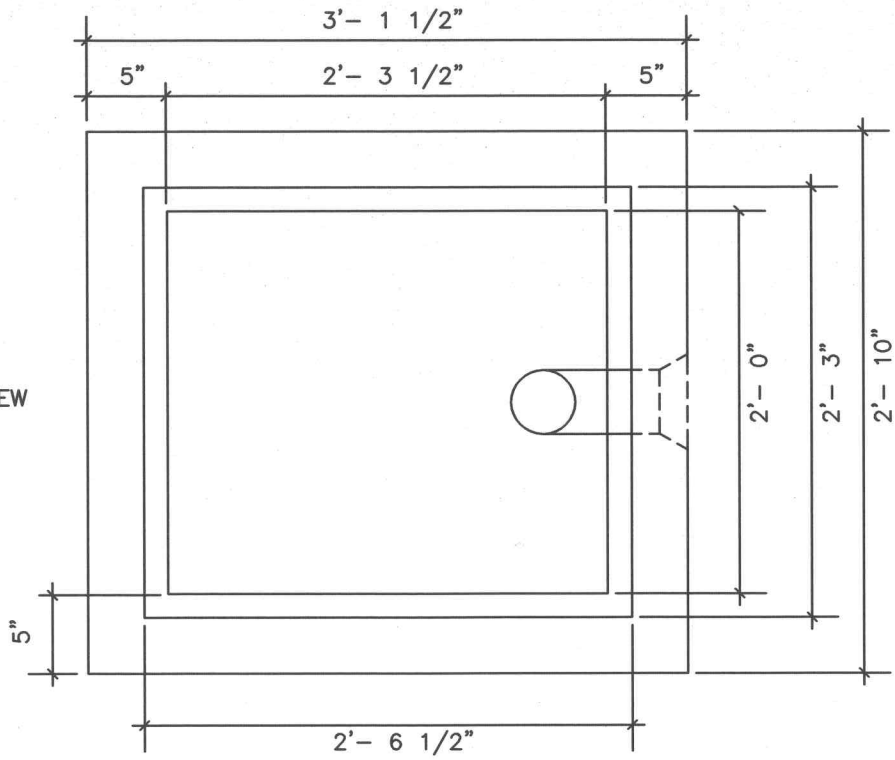
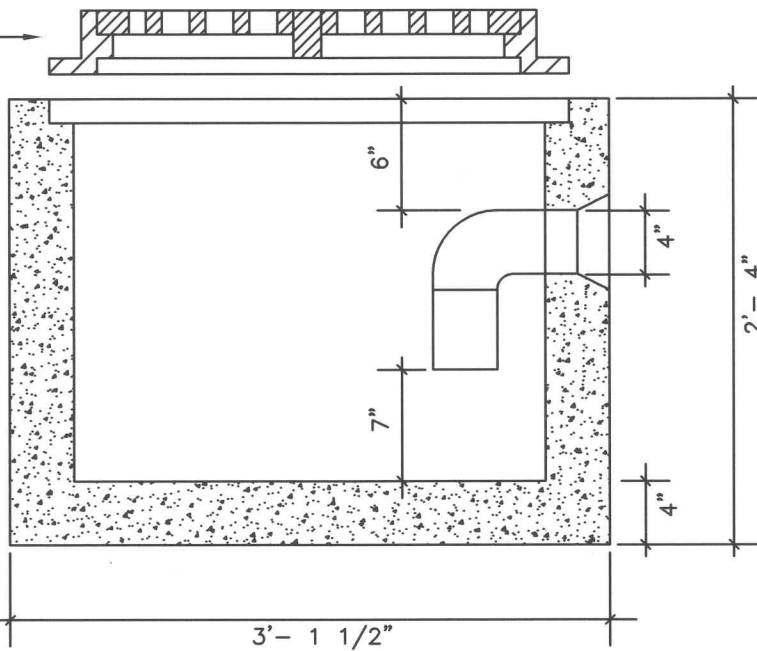


PLAN VIEW



TRAFFIC GRATE
PRODUCT #1230
WEIGHT 260#

SECTION VIEW



SAND TRAP
PRODUCT #1850
WEIGHT: 1620#

NOTES:

1. ALL UNITS MEET OR EXCEED THE REQUIREMENTS OF ASTM C-478/AASHTO M-199.
2. THIS SAND TRAP IS FOR INDUSTRIAL PRE-TREATMENT PURPOSES ONLY. IT SHALL NOT BE PLACED WITHIN RIGHT-OF-WAY OR BE CONNECTED TO THE CITY OF LEWISTON STORM SEWER SYSTEM.

(WILBERT PRECAST SAND TRAP PRODUCT #1850 AND TRAFFIC GRATE PRODUCT #1230 OR APPROVED EQUIVALENTS.)

CITY OF LEWISTON, IDAHO PUBLIC WORKS DEPARTMENT	
SAND TRAP WITH TRAFFIC GRATE	
APPROVED FOR PUBLICATION <i>Deann Stubbers</i> 6/2/10 City Engineer Date	DWG. NO. I-11